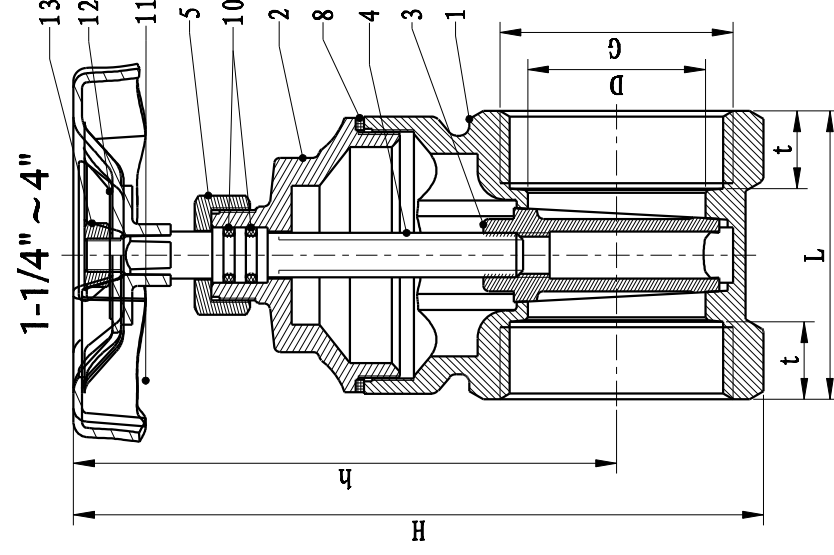
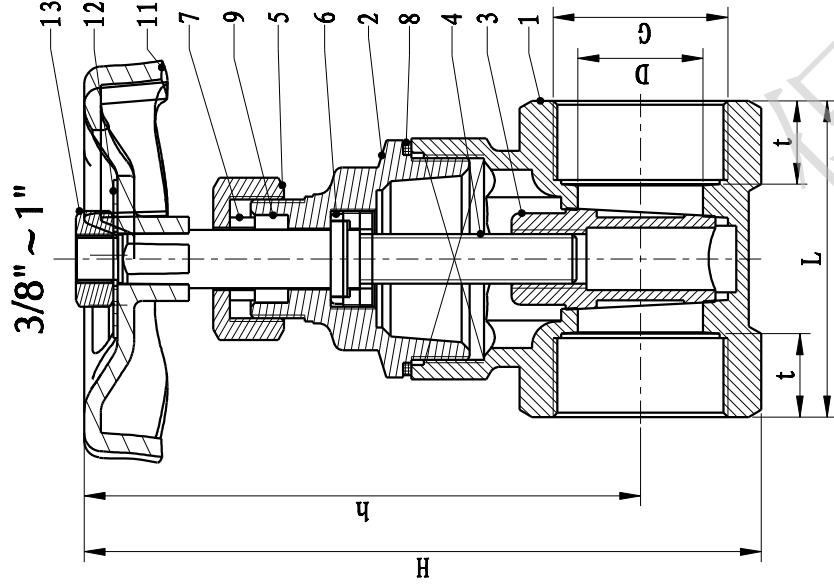


# F602 GATE VALVE



设计线

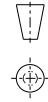
No.	1	2	3	4	5	6	7	8	9	10	11	12	13
Component	Body	Bonnet	Wedge	Stem	Packing Nut	Lock Nut	Stem Ring	Washer	Packing Ring	O-ring	Handle	Washer	Nut
Material	Brass	Brass	Brass	Brass	Brass	Brass	Brass	Fiber	PTFE	NBR	Iron	Aluminum	Iron

bar (max)	16	16	16	16	16	16	16	16	16	16	16	16	16
G	3/8"	3/8"	1/2"	3/4"	1"	1-1/4"	1-1/2"	1-1/2"	2"	2-1/2"	3"	4"	4"
D (mm)	12.5	15	19	24	32	39	48	60	68	93	182	205	295
t (mm)	9.5	10	12	13	14	15	17	17	23	18.5	84	80	237
L (mm)	37	38	43	47.5	52	57	65	66	84	237	295	295	295
H (mm)	77	83	95	110	124	145	145	145	182	205	237	295	295
h (mm)	65.5	68	77	88.5	98	115	115	115	145	159	185	227	227

描校

旧底图号

底图总号



Rev. Revisions Rec. Date

**fdh** ZHEJIANG FDH  
BRASS INDUSTRIAL CO.,LTD.

Designed Date  
Checked  
Approved Rev. 0  
Technics

Gross Weight

Range of Weight

±2%

ASSEMBLES

F602 GATE VALVE